

Chicknic Table Plans

Materials:

1 Pine Board 1"x8"x8'

(<https://www.lowes.com/pd/Common-1-in-x-8-in-x-8-ft-Actual-0-75-in-x-7-25-in-x-8-ft-Whitewood-Board/1000052623>)

1 Pine Board 1"x4"x8'

(<https://www.lowes.com/pd/Common-1-in-x-4-in-x-8-ft-Actual-0-75-in-x-3-5-in-x-8-ft-Pine-Board/1000931050>)

2 Pine Boards 1"x2"x8'

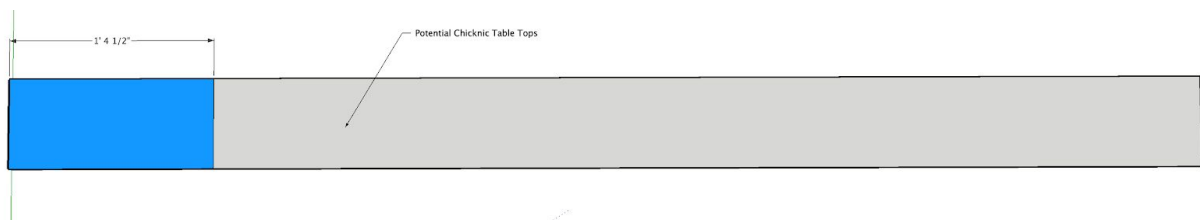
(<https://www.lowes.com/pd/Common-1-in-x-2-in-x-8-ft-Actual-0-75-in-x-1-5-in-x-8-ft-Whitewood-Board/1000595447>)

1 inch screws or nails

CUT LIST

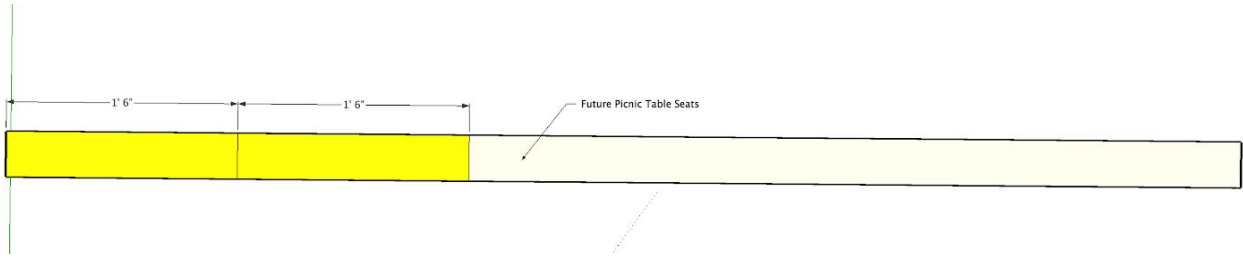
1"x8"x8'

1 section cut at 1 foot 4 ½ inches (blue)



1"x4"x8'

2 sections at 1 foot 6 inches (yellow)



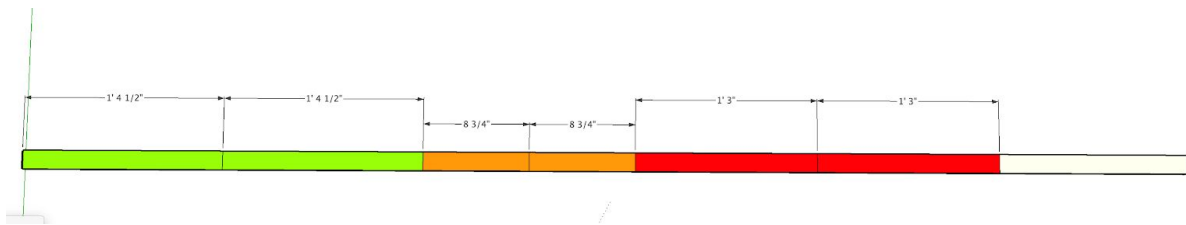
1"x2"x8' boards

Board #1

2 sections at 1 foot 4 1/2 inches (green)

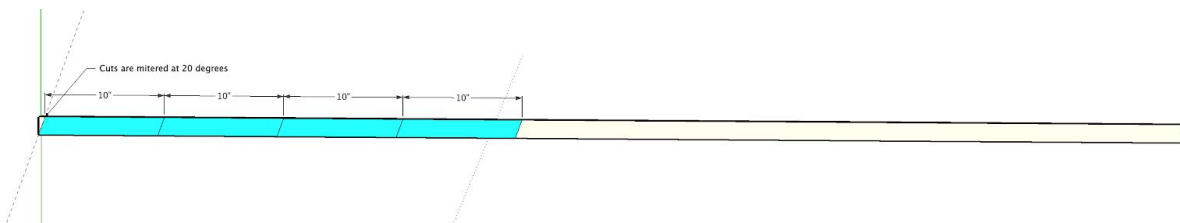
2 sections at 8 3/4 inches (orange)

2 sections at 1 foot 3 inches (red)



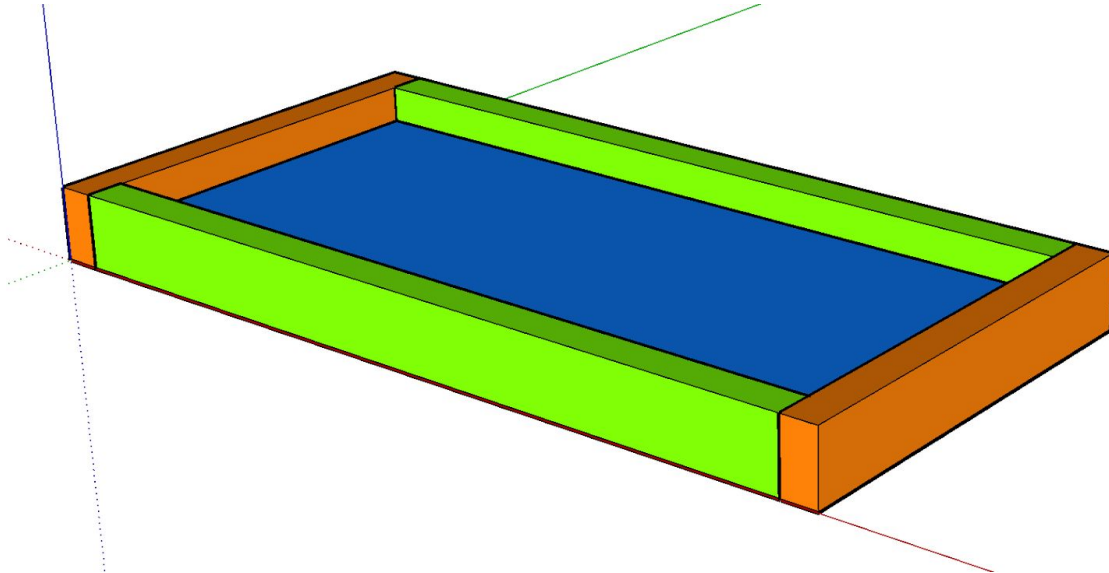
Board #2

4 sections at 10 inches. Each cut has a 20 degree miter. (light blue)



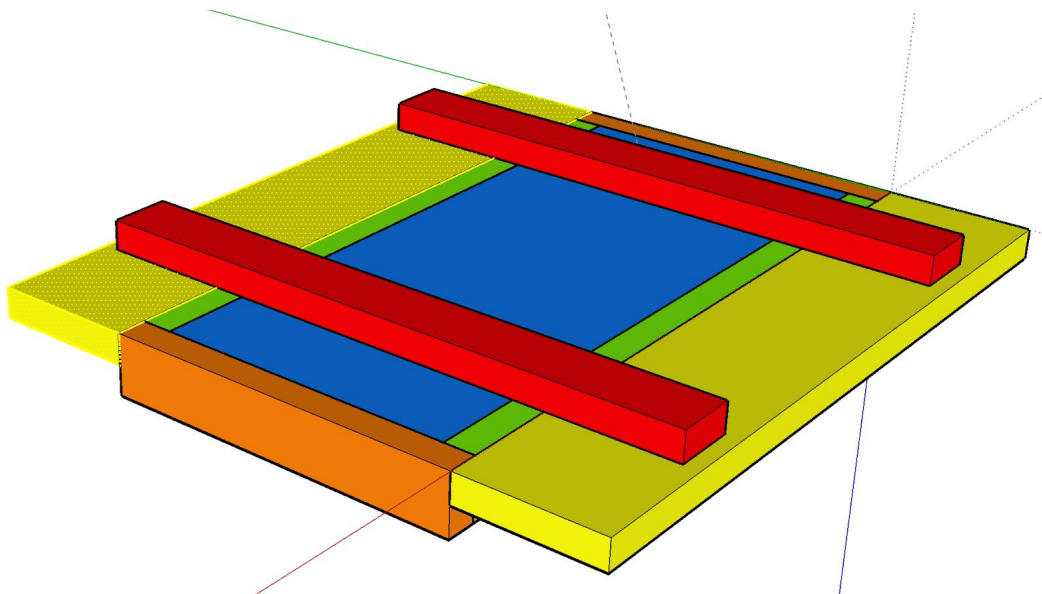
STEP 1 - TABLE TOP

1. Attach sides to top. Glue and screw 1 foot 4 ½ inch (green) sides to top (blue).
2. Attach ends to top. Glue and screw 8 ¾ inch (orange) end pieces on top (blue).



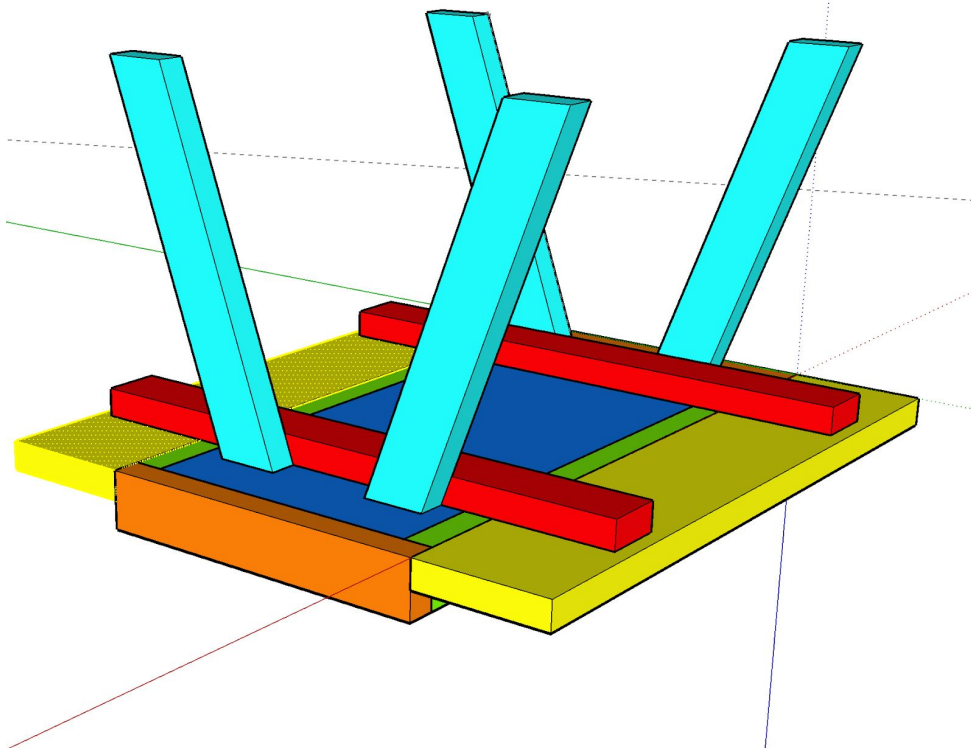
STEP 2: ATTACHING SEATS

1. Turn the table upside down.
2. Glue and screws (or nail) 1 foot 3 inch (red) braces to the underside of the 18 inch seats (yellow). Make sure they are 3 inches from the ends of the seat boards.
3. This piece should fit tight against the table top but not be glued or screwed to it. (we will leave this here.)



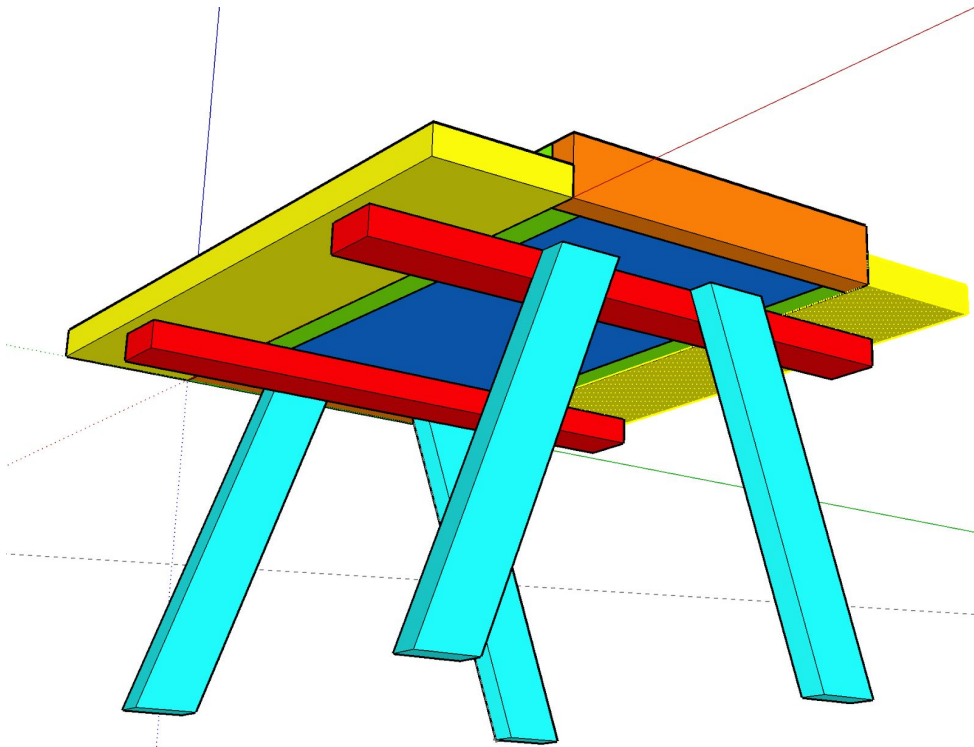
STEP 3: ATTACHING LEGS

1. Glue and screw the legs (light blue) flush against the braces (red). The point of the leg should be exactly 3 inches from the edge of the table top towards the center.



STEP 4: ATTACHING SEATS TO LEGS

1. Rotate table over.



2. Slide seat structure down until it stops hitting the seats (yellow).
3. Make sure seats are level front and back and left and right.
4. Glue and screw legs (light blue) to braces (red).

